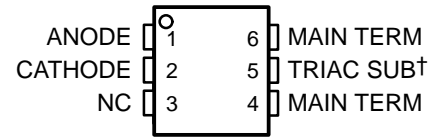


MOC3020 THRU MOC3023 OPTOCOUPLED/OPTOISOLATORS

SOES025 – OCTOBER 1986 – REVISED OCTOBER 1995

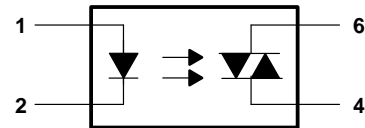
- 250 V Phototriac Driver Output
- Gallium-Arsenide-Diode Infrared Source and Optically-Coupled Silicon Triac Driver (Bilateral Switch)
- UL Recognized . . . File Number E65085
- High Isolation . . . 7500 V Peak
- Output Driver Designed for 220 V ac
- Standard 6-Terminal Plastic DIP
- Directly Interchangeable with Motorola MOC3020, MOC3021, MOC3022, and MOC3023
- Direct Replacements for:
 - TRW Optron OPI3020, OPI3021, OPI3022, and OPI3023;
 - General Instrument MCP3020, MCP3021, and MCP3022;
 - General Electric GE3020, GE3021, GE3022, and GE3023

MOC3020 – MOC3023 . . . PACKAGE
(TOP VIEW)



† Do not connect this terminal
NC – No internal connection

logic diagram



absolute maximum ratings at 25°C free-air temperature (unless otherwise noted)†

Input-to-output peak voltage, 5 s maximum duration, 60 Hz (see Note 1)	7.5 kV
Input diode reverse voltage	3 V
Input diode forward current, continuous	50 mA
Output repetitive peak off-state voltage	400 V
Output on-state current, total rms value (50-60 Hz, full sine wave): $T_A = 25^\circ\text{C}$	100 mA
$T_A = 70^\circ\text{C}$	50 mA
Output driver nonrepetitive peak on-state current ($t_W = 10$ ms, duty cycle = 10%, see Figure 7)	1.2 A
Continuous power dissipation at (or below) 25°C free-air temperature:	
Infrared-emitting diode (see Note 2)	100 mW
Phototriac (see Note 3)	300 mW
Total device (see Note 4)	330 mW
Operating junction temperature range, T_J	-40°C to 100°C
Storage temperature range, T_{stg}	-40°C to 150°C
Lead temperature 1,6 (1/16 inch) from case for 10 seconds	260°C

† Stresses beyond those listed under "absolute maximum ratings" may cause permanent damage to the device. These are stress ratings only, and functional operation of the device at these or any other conditions beyond those indicated under "recommended operating conditions" is not implied. Exposure to absolute-maximum-rated conditions for extended periods may affect device reliability.

- NOTES:
1. Input-to-output peak voltage is the internal device dielectric breakdown rating.
 2. Derate linearly to 100°C free-air temperature at the rate of 1.33 mW/°C.
 3. Derate linearly to 100°C free-air temperature at the rate of 4 mW/°C.
 4. Derate linearly to 100°C free-air temperature at the rate of 4.4 mW/°C.

MOC3020 THRU MOC3023 OPTOCOUPLEDERS/OPTOISOLATORS

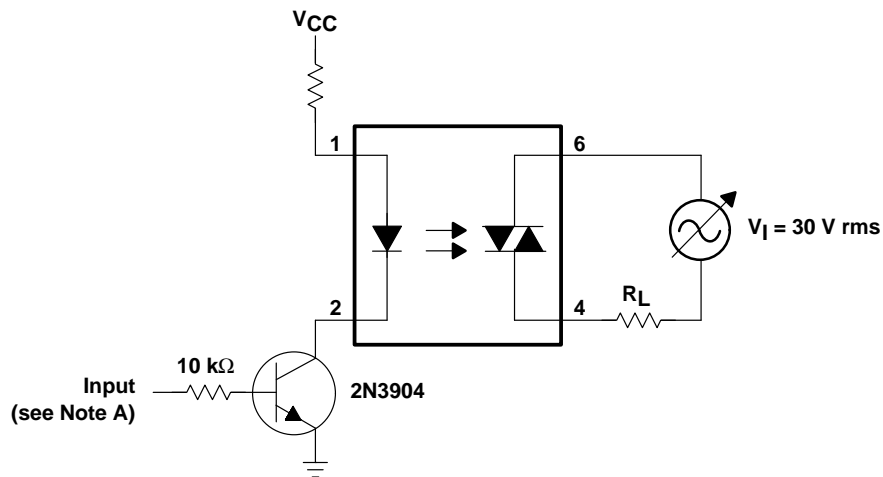
SOES025 – OCTOBER 1986 – REVISED OCTOBER 1995

electrical characteristics at 25°C free-air temperature (unless otherwise noted)

PARAMETER		TEST CONDITIONS	MIN	TYP	MAX	UNIT
I_R	Static reverse current	$V_R = 3\text{ V}$		0.05	100	μA
V_F	Static forward voltage	$I_F = 10\text{ mA}$		1.2	1.5	V
$I_{(DRM)}$	Repetitive off-state current, either direction	$V_{(DRM)} = 400\text{ V}$, See Note 5		10	100	nA
dv/dt	Critical rate of rise of off-state voltage	See Figure 1		100		$\text{V}/\mu\text{s}$
$dv/dt(c)$	Critical rate of rise of commutating voltage	$I_O = 15\text{ mA}$, See Figure 1		0.15		$\text{V}/\mu\text{s}$
I_{FT}	Input trigger current, either direction	Output supply voltage = 3 V	MOC3020	15	30	mA
			MOC3021	8	15	
			MOC3022	5	10	
			MOC3023	3	5	
V_{TM}	Peak on-state voltage, either direction	$I_{TM} = 100\text{ mA}$		1.4	3	V
I_H	Holding current, either direction			100		μA

NOTE 5: Test voltage must be applied at a rate no higher than 12 V/ μs .

PARAMETER MEASUREMENT INFORMATION



NOTE A. The critical rate of rise of off-state voltage, dv/dt , is measured with the input at 0 V. The frequency of V_{in} is increased until the phototriac turns on. This frequency is then used to calculate the dv/dt according to the formula:

$$dv/dt = 2 \sqrt{2\pi f V_{in}}$$

The critical rate of rise of commutating voltage, $dv/dt(c)$, is measured by applying occasional 5-V pulses to the input and increasing the frequency of V_{in} until the phototriac stays on (latches) after the input pulse has ceased. With no further input pulses, the frequency of V_{in} is then gradually decreased until the phototriac turns off. The frequency at which turn-off occurs may then be used to calculate the $dv/dt(c)$ according to the formula shown above.

Figure 1. Critical Rate of Rise Test Circuit

TYPICAL CHARACTERISTICS

EMITTING-DIODE TRIGGER CURRENT (NORMALIZED)
vs
FREE-AIR TEMPERATURE

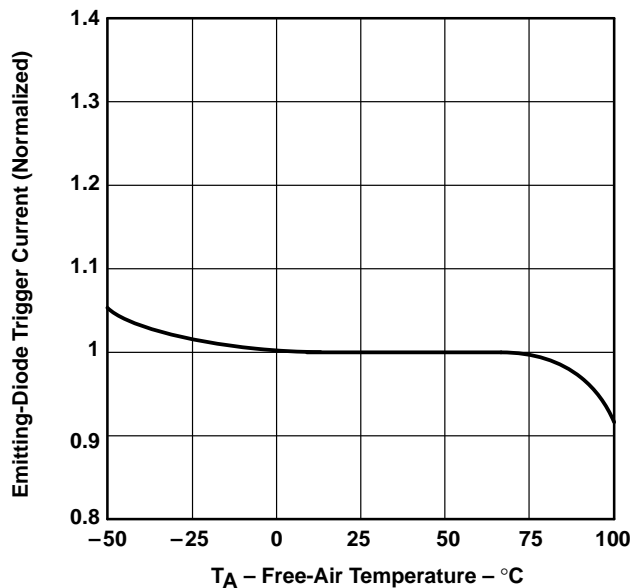


Figure 2

ON-STATE CHARACTERISTICS

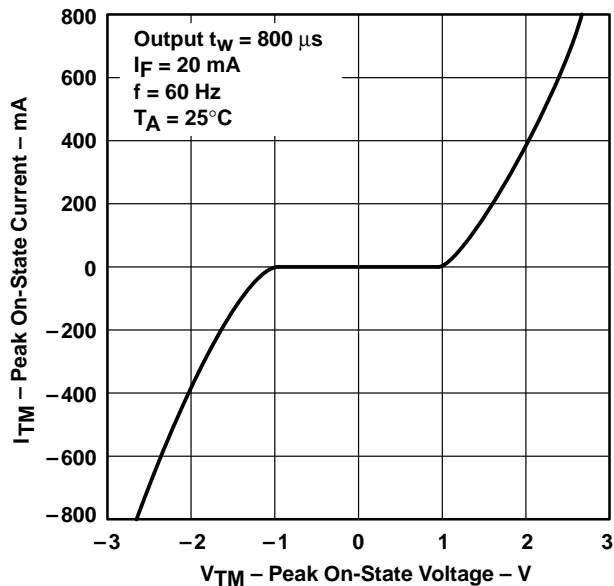


Figure 3

NONREPETITIVE PEAK ON-STATE CURRENT
vs
PULSE DURATION

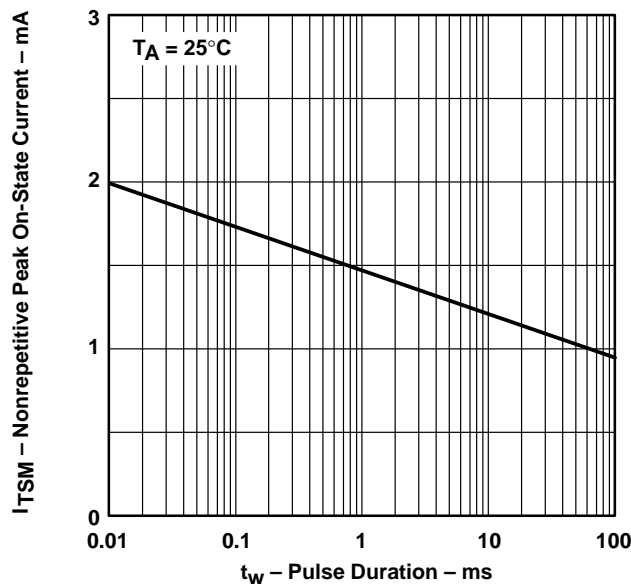


Figure 4

APPLICATIONS INFORMATION

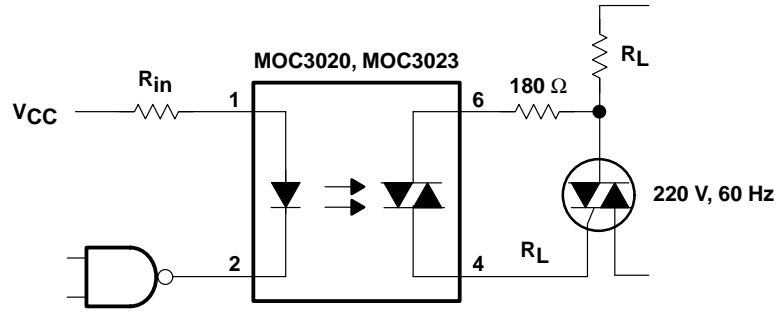


Figure 5. Resistive Load

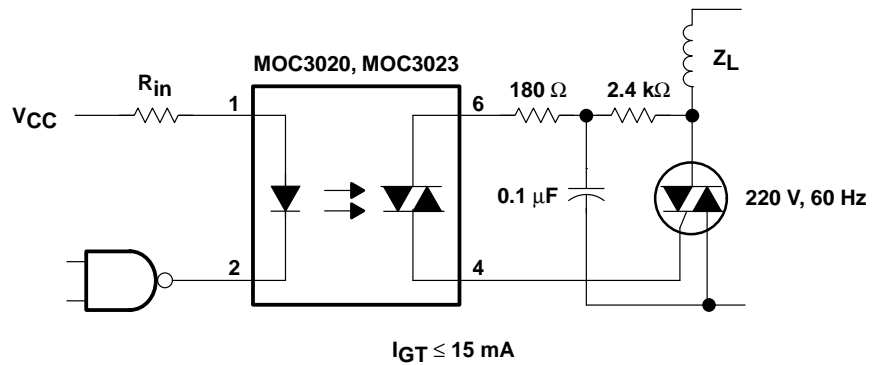


Figure 6. Inductive Load With Sensitive-Gate Triac

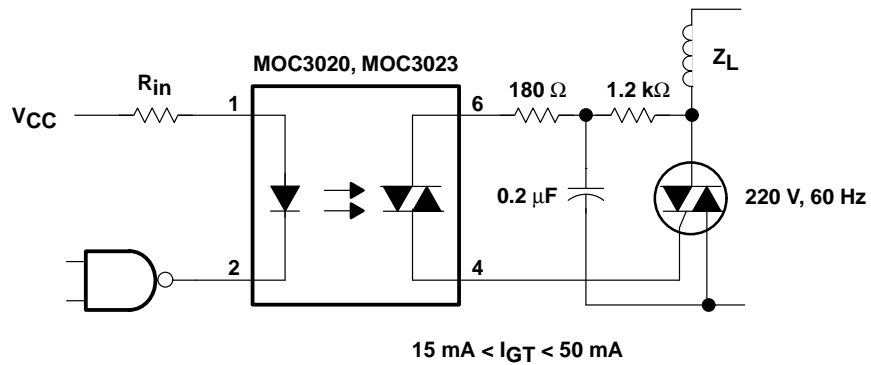
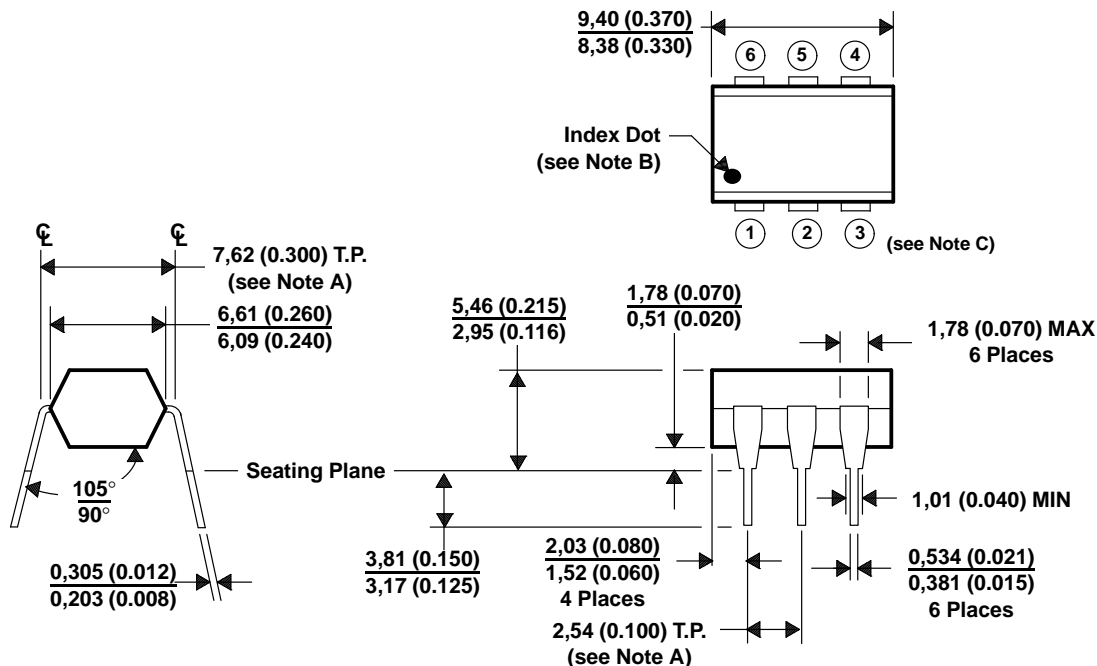


Figure 7. Inductive Load With Nonsensitive-Gate Triac

MECHANICAL INFORMATION

Each device consists of a gallium-arsenide infrared-emitting diode optically coupled to a silicon phototriac mounted on a 6-terminal lead frame encapsulated within an electrically nonconductive plastic compound. The case can withstand soldering temperature with no deformation and device performance characteristics remain stable when operated in high-humidity conditions.



- NOTES: A. Leads are within 0,13 (0.005) radius of true position (T.P.) with maximum material condition and unit installed.
 B. Pin 1 identified by index dot.
 C. Terminal connections:
 1. Anode (part of the infrared-emitting diode)
 2. Cathode (part of the infrared-emitting diode)
 3. No internal connection
 4. Main terminal (part of the phototransistor)
 5. Triac Substrate (DO NOT connect) (part of the phototransistor)
 6. Main terminal (part of the phototransistor)
 D. The dimensions given fall within JEDEC MO-001 AM dimensions.
 E. All linear dimensions are given in millimeters and parenthetically given in inches.

Figure 8. Mechanical Information

IMPORTANT NOTICE

Texas Instruments (TI) reserves the right to make changes to its products or to discontinue any semiconductor product or service without notice, and advises its customers to obtain the latest version of relevant information to verify, before placing orders, that the information being relied on is current.

TI warrants performance of its semiconductor products and related software to the specifications applicable at the time of sale in accordance with TI's standard warranty. Testing and other quality control techniques are utilized to the extent TI deems necessary to support this warranty. Specific testing of all parameters of each device is not necessarily performed, except those mandated by government requirements.

Certain applications using semiconductor products may involve potential risks of death, personal injury, or severe property or environmental damage ("Critical Applications").

TI SEMICONDUCTOR PRODUCTS ARE NOT DESIGNED, INTENDED, AUTHORIZED, OR WARRANTED TO BE SUITABLE FOR USE IN LIFE-SUPPORT APPLICATIONS, DEVICES OR SYSTEMS OR OTHER CRITICAL APPLICATIONS.

Inclusion of TI products in such applications is understood to be fully at the risk of the customer. Use of TI products in such applications requires the written approval of an appropriate TI officer. Questions concerning potential risk applications should be directed to TI through a local SC sales office.

In order to minimize risks associated with the customer's applications, adequate design and operating safeguards should be provided by the customer to minimize inherent or procedural hazards.

TI assumes no liability for applications assistance, customer product design, software performance, or infringement of patents or services described herein. Nor does TI warrant or represent that any license, either express or implied, is granted under any patent right, copyright, mask work right, or other intellectual property right of TI covering or relating to any combination, machine, or process in which such semiconductor products or services might be or are used.